

INCOMIMEX

CADENAS DE ACERO PARA ELEVACION Y TRANSPORTE

Polígono Industrial Gatika - Parcela 3 - Pabellón 1 - 48110 Gatika (Vizcaya)

Tel: 946 155 443 - Fax: 946 156 078 - incomimex@incomimex.com



Cadenas especiales

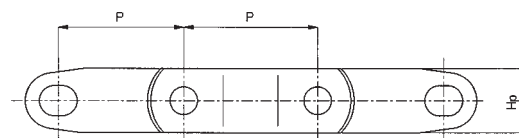
MCV



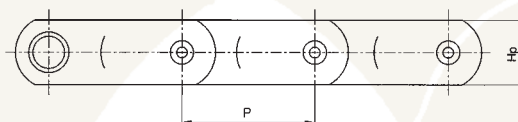
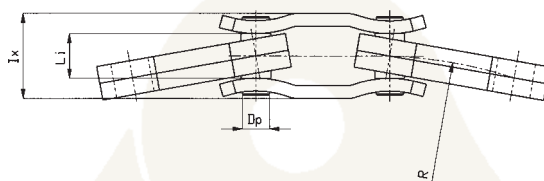
Catene trasporto casse	97	<i>Case conveyor chains</i>
Catene a blocchi	98	<i>Block chains</i>
Catene a blocchi con attacchi	99	<i>Block chains with attachments</i>
Catene per elevatori portatazze	101	<i>Chains for bucket elevators</i>
Catene per industria zaccarifera serie DIN 654	104	<i>Chains for sugar industry DIN 654 series</i>
Attacchi per catene industria zaccarifera	105	<i>Attachments for sugar industry chains</i>
Catene per industria zaccarifera	106	<i>Chains for sugar industry</i>
Catene per posa catrame	107	<i>Chains for asphalt machinery</i>

CATENE SPECIALI - SPECIAL CHAINS

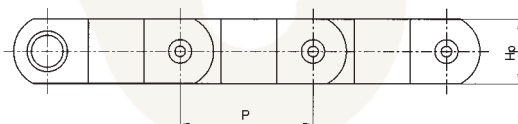
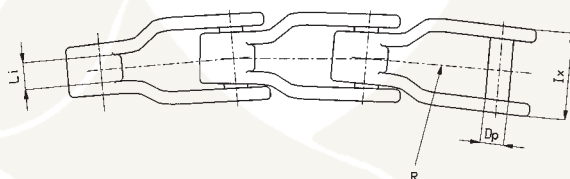
Catene trasporto casse - Case conveyor chains



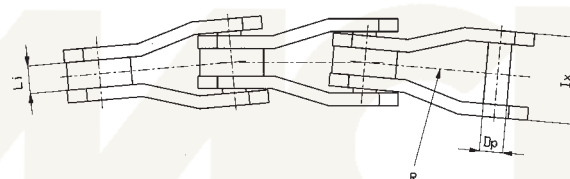
stile V - style V




stile M - style M



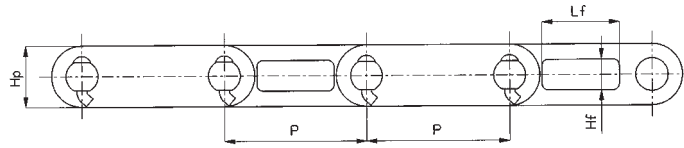
stile P - style P



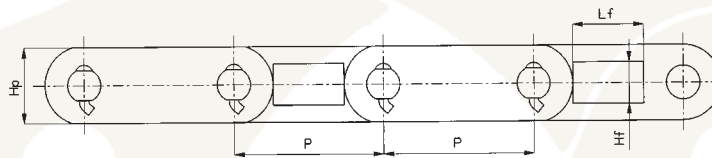
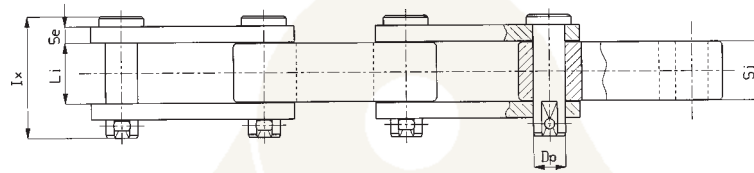
 codice code	Stile Style	DIMENSIONI / DIMENSIONS						Carico medio rottura Average breaking load kN
		P mm	Li mm	Dp mm	Hp mm	lx mm	*R mm	
635 / 635	M	63,50	13	11	29	43	485	46
635 / 635 A	P	63,50	13	11	30	41	400	70
635 / 6285	V	62,85	18	14	30	38	600	175
635 / 762 A	V	76,20	18	14	30	38	600	175
635 / 1016	V	101,60	19	14	30	39	600	175

* R = raggio minimo di curvatura
minimum bending radius

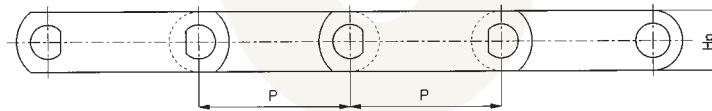
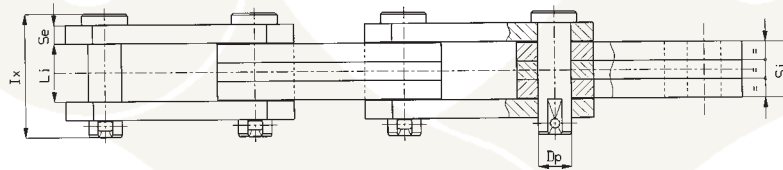
speciali
special



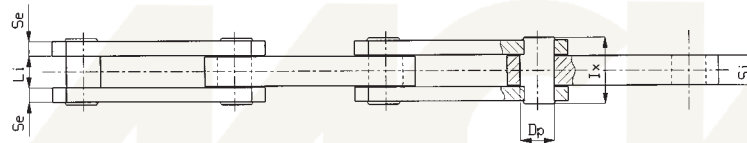
stile M - style M




stile C - style C



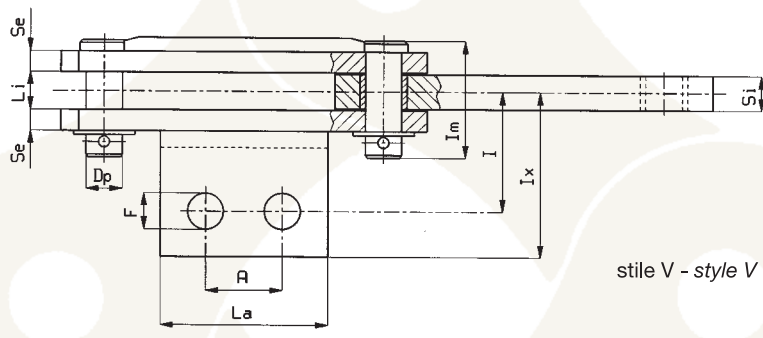
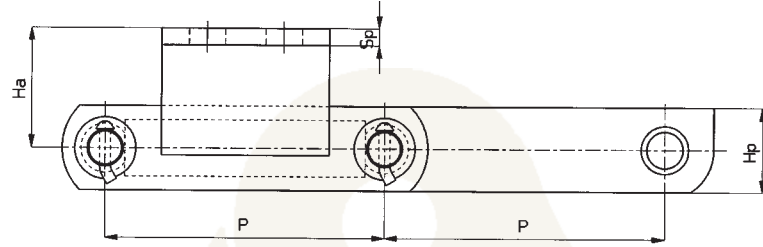
stile V - style V



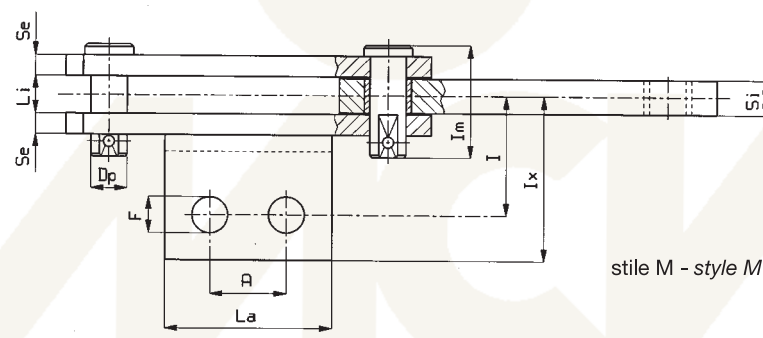
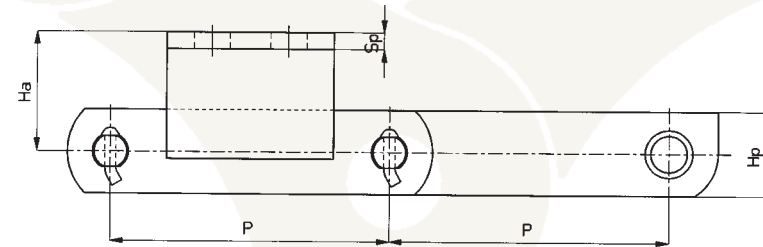
 codice code	Stile Style	DIMENSIONI / DIMENSIONS									Carico medio rottura Average breaking load kN
		P mm	Dp mm	Li mm	Hp mm	Si mm	Se mm	Hf mm	Lf mm	Ix mm	
636	M	70,0	15,8	30	30	29	8	15	38	62	130
637	C	80,0	17,8	31	40	30	10	22	38	70	250
638	V	127,0	22,0	22	40	20	10	-	-	48	285
639	V	127,0	28,5	27	50	25	12	-	-	56	410
640	V	127,0	31,4	38	65	35	12	-	-	68	640
641	V	152,4	31,4	38	65	35	12	-	-	68	640
642	V	254,0	31,4	38	65	35	12	-	-	68	640

CATENE SPECIALI - SPECIAL CHAINS

Catene a blocchi con attacchi - *Block chains with attachments*




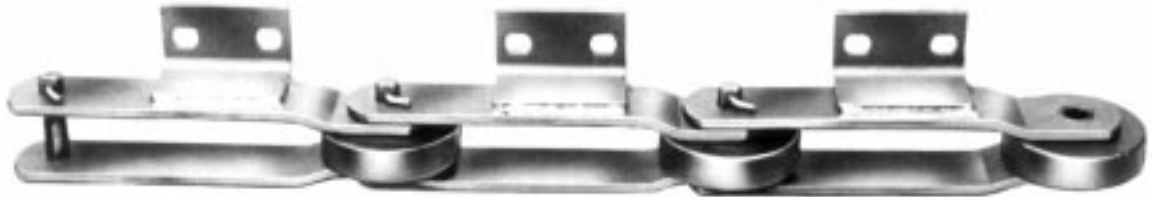
stile V - style V



stile M - style M

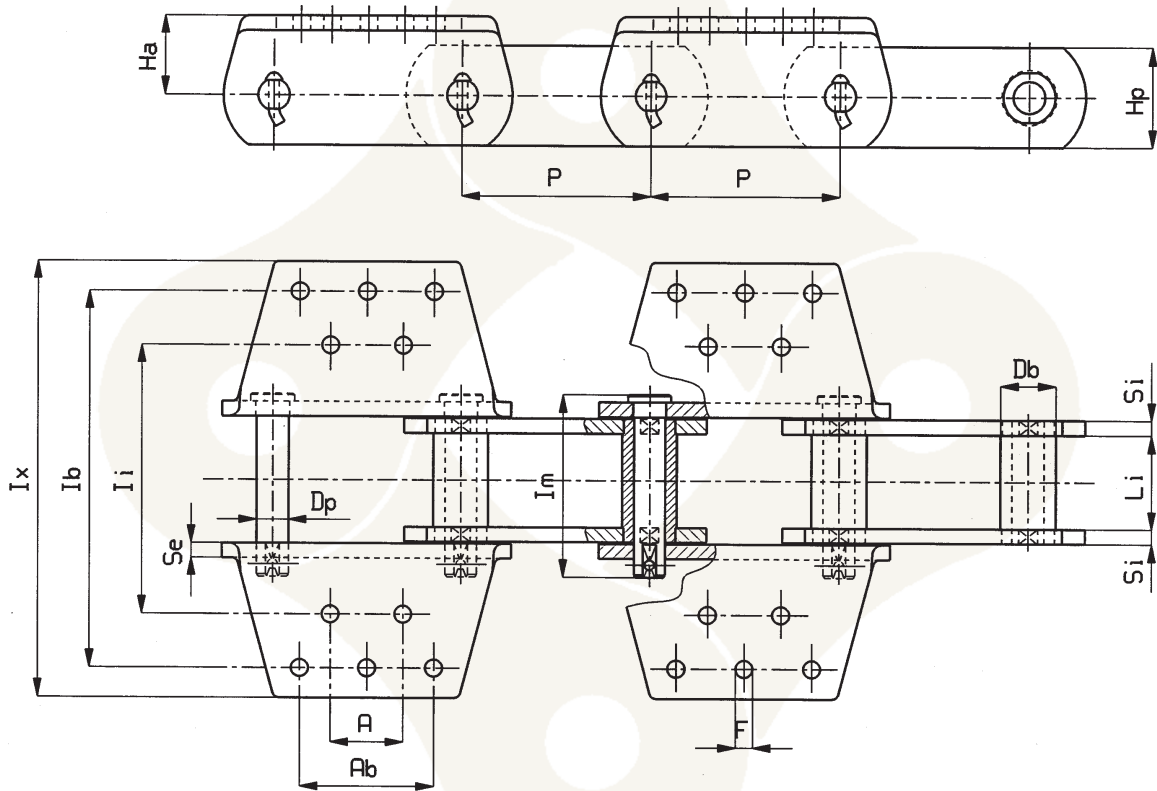
DIMENSIONI / DIMENSIONS


 codice code	Style Style	DIMENSIONI / DIMENSIONS														carico medio rottura Average breaking load kN
		P mm	Li mm	Dp mm	Hp mm	Si mm	Se mm	Im mm	La mm	A mm	F mm	Sp mm	Ix mm	Ha mm	I mm	
643/250	M	250	42	36	70	40	18	106	145	70	25	15	150	55	100	700
644/200	M	200	22	25	50	20	8	60	110	55	18	10	100	70	53	280
645/250	V	250	42	35	70	40	20	115	150	70	26	15	165	90	120	800
646/250	V	250	32	30	60	30	15	90	140	70	26	15	140	85	98	550



CATENE SPECIALI - SPECIAL CHAINS

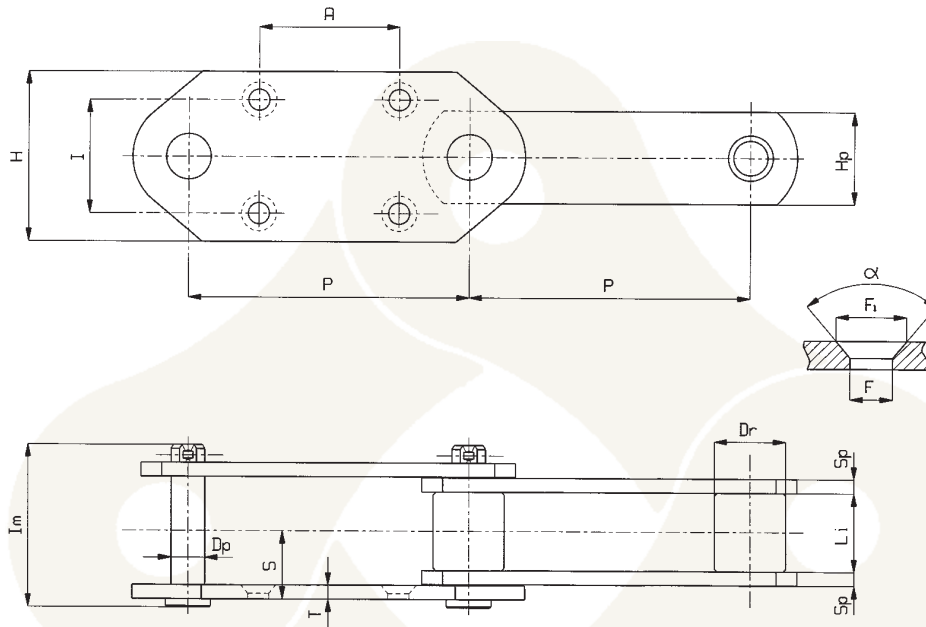
Catene per elevatori portatazze - Chains for bucket elevators




 codice code	DIMENSIONI / DIMENSIONS															carico medio rottura Average breaking load kN
	P mm	Li mm	Db mm	Dp mm	Hp mm	Si mm	Se mm	F mm	Im mm	A mm	Ab mm	li mm	lb mm	Ha mm	Ix mm	
4856	152,4	76,2	44,45	25,40	65	12	12	18	148	63,5	-	184,0	-	47,6	240	470
4857	152,4	76,2	44,45	25,40	80	12	12	14	148	88,9	88,9	177,8	304,8	63,5	360	750
4859	152,4	94,0	60,00	31,75	100	15	15	18	182	70,0	114,3	228,6	330,2	76,2	382	900
4861	160,0	119,0	62,00	36,00	110	15	15	18	205	100,0	150,0	250,0	310,0	70,0	380	1100
4864	177,8	94,0	60,00	31,75	100	15	15	18	182	95,2	139,7	228,6	330,2	76,2	382	900

A richiesta gli attacchi possono essere forniti con 3 o 4 fori.
 On request the attachments can be supplied with 3 or 4 holes.

speciali
 special

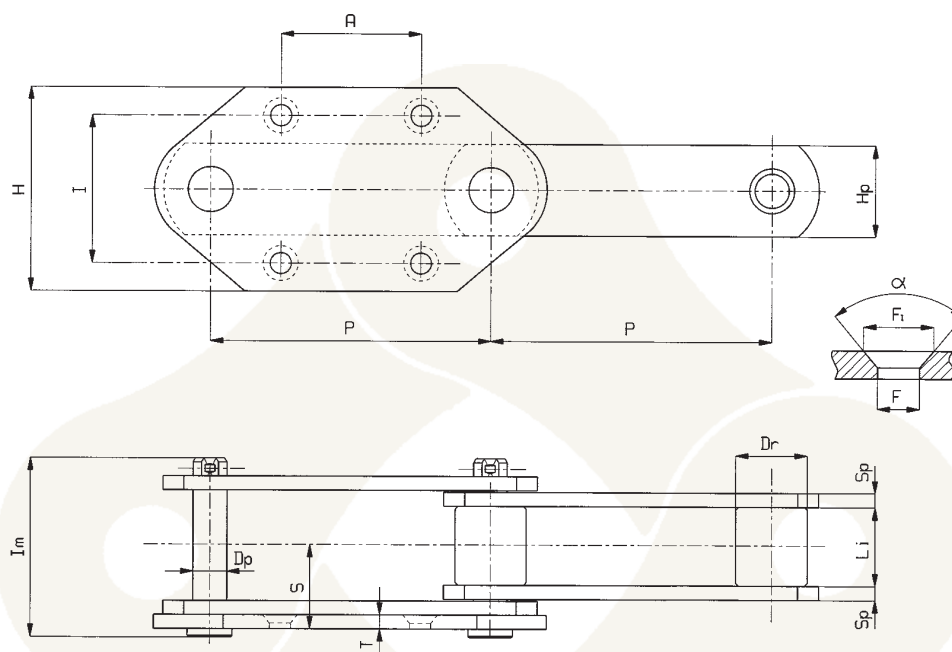


stile G4 - 1 / G4 - 1 style


 codice code	DIMENSIONI / DIMENSIONS							Carico medio di rottura Average breaking load kN	
	P	Li	Dp	Dr	Hp	Sp	Im	Serie standard Standard series kN	Serie rinforzata Reinforced series kN
	mm	mm	mm	mm	mm	mm	mm		
S 10150	150,0	30	14,50	29,00	40	6,00	68	125	230
S 12152	152,4	37	15,90	35,00	45	8,00	83	200	290
S 12200	200,0	37	15,90	35,00	45	8,00	83	200	290
S 17200	200,0	51	19,00	40,00	50	10,00	109	260	400
S 26200	200,0	57	24,00	50,80	65	10,00	116	350	580
S 17250	250,0	51	19,00	40,00	50	10,00	109	260	400
S 26250	250,0	57	24,00	50,80	65	10,00	116	350	580
S 36250	250,0	67	28,00	57,20	80	12,00	145	550	950
S 26300	300,0	57	24,00	50,80	65	10,00	129	350	580
S 36300	300,0	67	28,00	57,20	80	12,00	158	550	950
S 60300	300,0	77	35,00	70,00	90	12,50	168	-	1100
S 36350	350,0	67	28,00	57,20	80	12,00	158	-	950
S 60350	350,0	77	35,00	70,00	90	12,50	168	-	1100
S 90350	350,0	88	42,00	85,00	110	15,00	194	-	1750
S 60400	400,0	77	35,00	70,00	90	12,50	171	-	1100
S 90400	400,0	88	42,00	85,00	110	15,00	197	-	1750
S120400	400,0	100	50,00	100,00	130	20,00	225	-	2600

CATENE SPECIALI - SPECIAL CHAINS

Catene per elevatori portatazze - Chains for bucket elevators

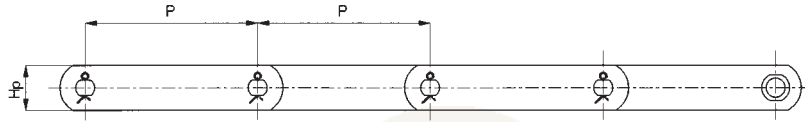


stile G4 - 2 / G4 - 2 style

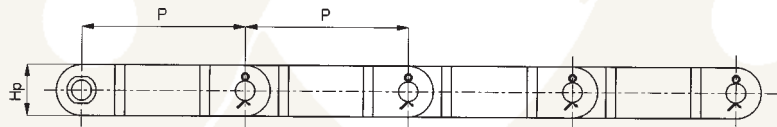
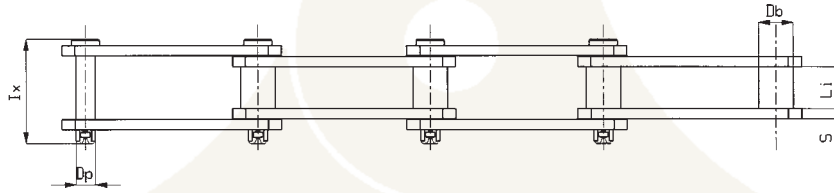
 codice code	Stile attacco Attachment style	DIMENSIONI / DIMENSIONS							
		S mm	A mm	I mm	H mm	T mm	F mm	α mm	F1 mm
S 10150	G4 - 1	28,0	75	70	110	6	15	90	25
S 12152	G4 - 1	35,5	75	70	110	8	15	90	26
S 12200	G4 - 1	35,5	100	80	120	8	15	90	26
S 17200	G4 - 1	45,5	100	80	120	10	15	90	26
S 26200	G4 - 1	49,0	100	80	120	10	15	90	26
S 17250	G4 - 1	46,0	140	100	150	10	19	90	32
S 26250	G4 - 1	49,0	140	100	150	10	19	90	32
S 36250	G4 - 1	60,0	140	100	150	12	19	90	32
S 26300	G4 - 2	60,0	170	140	200	12	24	90	38
S 36300	G4 - 2	72,0	170	140	200	12	24	90	38
S 60300	G4 - 2	77,0	170	140	200	12	24	90	38
S 36350	G4 - 2	72,0	200	170	240	12	28	60	40
S 60350	G4 - 2	77,0	200	170	240	12	28	60	40
S 90350	G4 - 2	89,5	200	170	240	12	28	60	40
S 60400	G4 - 2	81,0	230	200	280	15	35	60	50
S 90400	G4 - 2	92,0	230	200	280	15	35	60	50
S120400	G4 - 2	106,0	230	200	280	15	35	60	50

CATENE SPECIALI - SPECIAL CHAINS

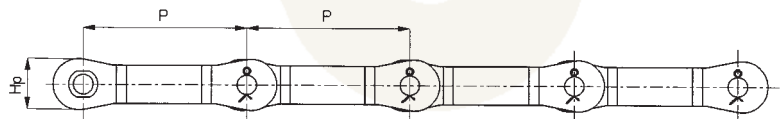
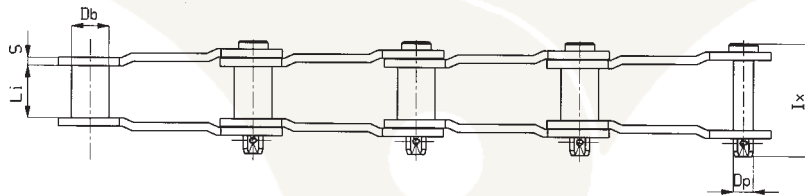
Catene per industria saccarifera serie DIN 654 - Chains for sugar industry DIN 654 series




stile M - style M



stile C - style C

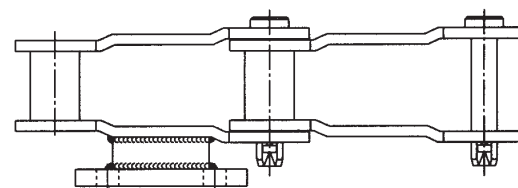
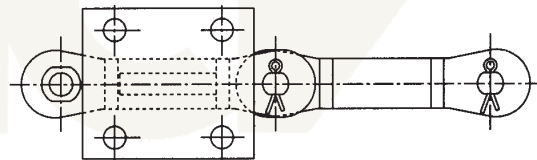
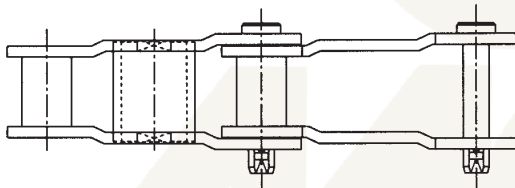
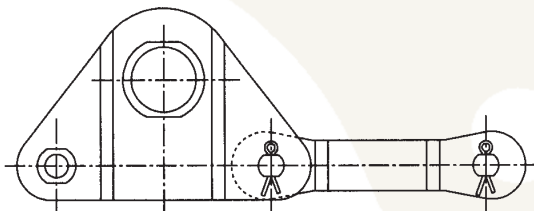
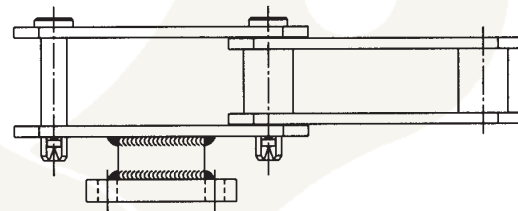
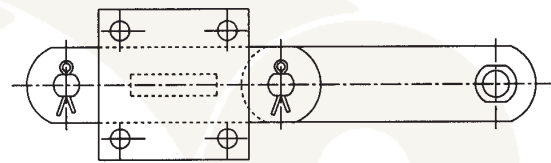
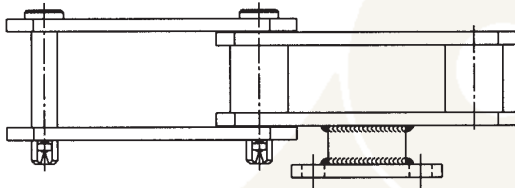
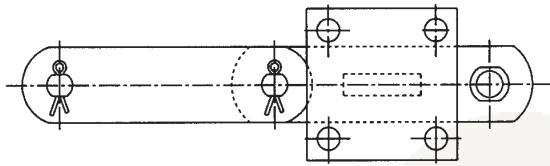


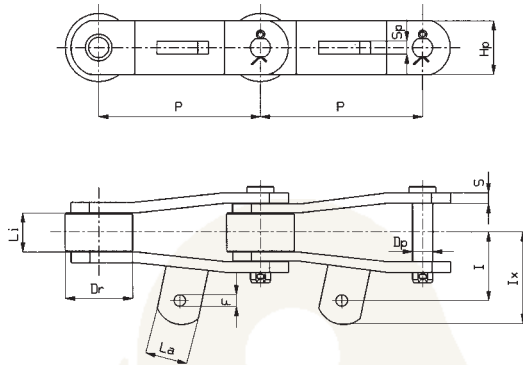
stile V - style V

 codice code	Stile Style	DIMENSIONI / DIMENSIONS							Carico medio rottura Average breaking load kN
		P mm	Li mm	Db mm	Dp mm	Hp mm	S mm	Ix mm	
415 / Z	M	41,5	20,0	17,0	8,0	25,0	4,0	48,0	40
420 / Z	M	42,0	25,0	19,0	10,0	25,0	4,0	55,0	40
595 / Z	M	59,5	28,0	21,0	10,0	30,0	5,0	62,0	56
630 / Z	M	63,0	29,5	21,0	10,0	30,0	5,0	64,0	56
650 / Z	M	65,0	33,0	25,0	12,0	30,0	5,0	70,0	56
850 / Z	M-C	85,0	35,0	27,0	14,0	35,0	5,0	74,0	80
100 / Z	V	100,0	31,0	23,0	12,0	32,0	5,0	69,0	80
100 / ZA	M-C	100,0	29,0	27,0	13,0	35,0	6,0	71,0	100
100 / ZB	M-C	100,0	41,0	30,0	15,0	40,0	7,0	85,0	130
135 / Z	M-C	135,0	33,0	27,0	15,0	35,0	8,0	82,0	130

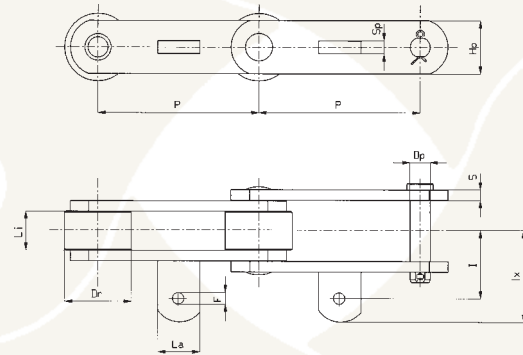
CATENE SPECIALI - SPECIAL CHAINS

Attacchi per catene industria saccarifera - Attachments for sugar industry chains

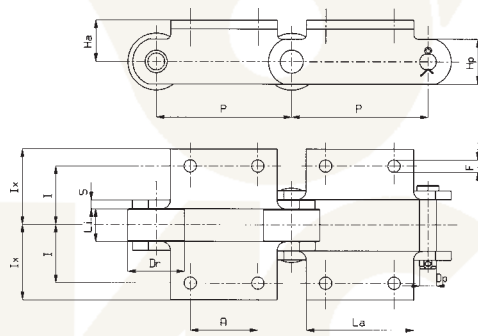





stile M con attacco A 42 / M style with A 42 attachment



stile V con attacco A 42 / V style with A 42 attachment

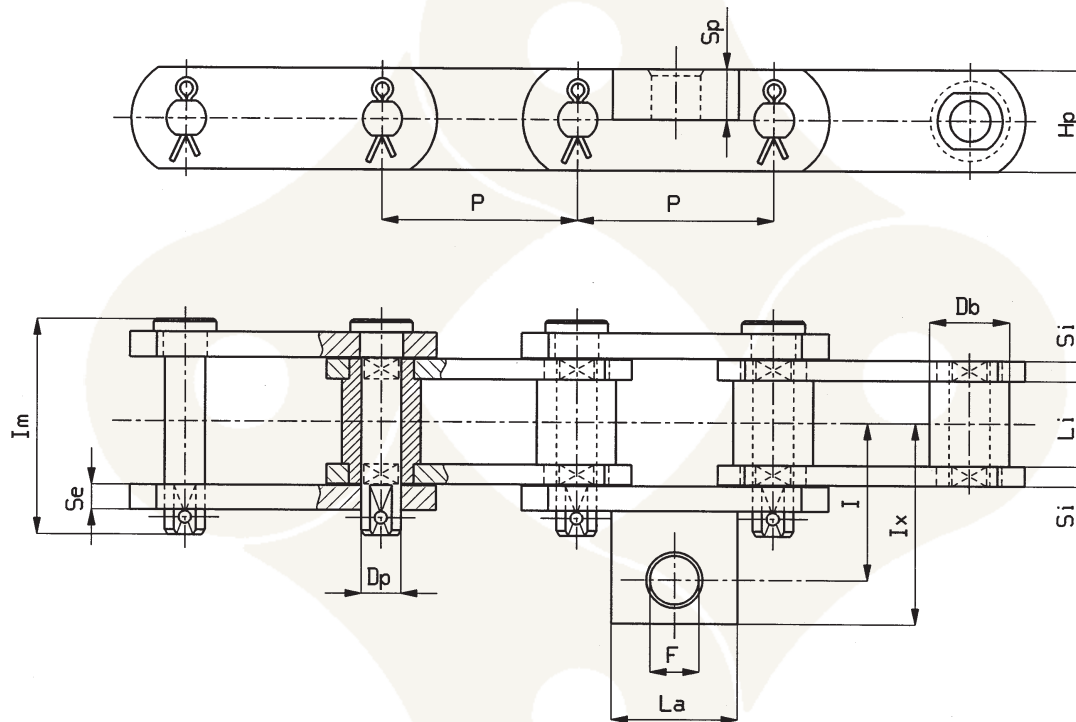



stile V con attacco B 2 / V style with B 2 attachment

 codice code	Stile Style	DIMENSIONI / DIMENSIONS														tipo di attacco Attachment style	carico medio rottura Average breaking load kN
		P mm	Li mm	Dr mm	Dp mm	Hp mm	S mm	Sp mm	F mm	La mm	I mm	Ix mm	Ha mm	A mm			
21300	M	152,4	38,1	63,5	19,0	50,0	10,0	12,0	17,5	50,0	65,0	92,0	-	-	A 42	310	
960	V	152,4	38,1	69,8	19,0	50,0	10,0	-	14,3	140,0	56,0	75,0	41,3	76,2	B 2	310	
21840	M	152,4	38,1	76,2	22,0	50,0	10,0	12,0	17,5	50,0	67,0	91,0	-	-	A 42	300	
11311	V	152,4	38,1	76,2	19,0	50,0	10,0	-	14,3	140,0	76,2	95,0	41,3	67,0	B 2	310	
17960	V	152,4	38,1	69,8	22,0	60,0	10,0	-	14,3	110,0	56,0	73,0	41,3	76,2	B 2	400	
9600	V	152,4	38,1	69,8	22,0	60,0	12,0	-	14,3	110,0	56,0	76,0	41,3	76,2	B 2	460	
8000	V	203,2	46,0	88,9	25,4	80,0	12,0	-	14,3	178,0	66,0	91,0	56,0	114,3	B 2	650	

CATENE SPECIALI - SPECIAL CHAINS

Catene per posa catrame - Chains for asphalt machinery



 codice code	DIMENSIONI / DIMENSIONS													carico medio rottura Average breaking load kN
	P mm	Li mm	Db mm	Dp mm	Hp mm	Si mm	Se mm	Im mm	F mm	La mm	Ix mm	Sp mm	I mm	
781/SC	78,1	34	31,75	16,0	40	8	10	86	19,5	50	81	20	63	150
800/SC	80,0	34	27,94	15,9	45	6	8	69	22,0	50	82	18	57	190

